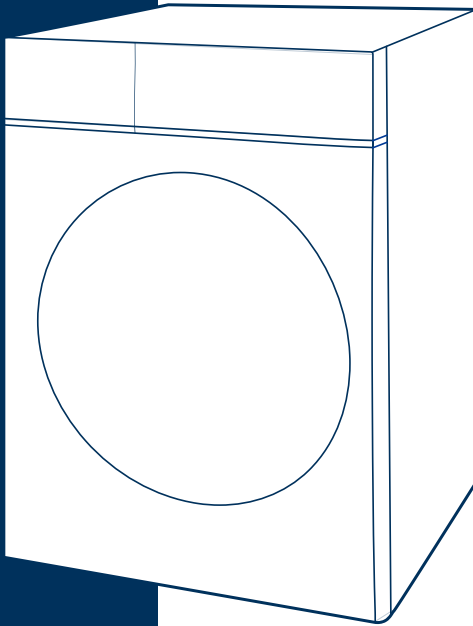


## WASHER DRYER

### Front Loading

# USER MANUAL



#### Read This Manual

Read all instructions and explanations for the installation before use. Follow the instructions carefully. Keep the operation instructions handy for later use. If the appliance is sold or passed on, ensure that the new owner always receives this operation instructions.



CAUTION: HOT SURFACE !



CAUTION: RISK OF FIRE !

MODEL:  
MF10ED80B

Congratulations to your new machine !

This user manual will help you discover all the benefits of your machine and use it the way you want.



We strongly recommend that you read this manual carefully before using the washer dryer for the first time. It contains important safety instructions and information relating to the installation, operation and maintenance. Proper handling contributes to efficient, environmentally friendly and safe use and minimises energy consumption during operation. Please always keep the proof of purchase to preserve any warranty claims.

These instructions for use are in general terms. This means: Certain functions apply to your machine, while others do not. We are continuously working on the further development and improvement of our unit types and models. Therefore, we reserve the right to make changes to the design, features and accessories of all types and models without prior notice.

On our website [www.midea.com](http://www.midea.com) you can also download the user manual in digital form and discover other products. We hope you enjoy using your machine.

## Explanation of symbols



### Danger

This symbol indicates that there are dangers to the life and health of persons due to extremely flammable gas.



### Warning of electrical voltage

This symbol indicates that there is a danger to life and health of persons due to voltage.



### Warning

The signal word indicates a hazard with a medium level of risk which, if not avoided, may result in death or serious injury.



### Caution

The signal word indicates a hazard with a low degree of risk which, if not avoided, may result in minor or moderate injury.



### Notice:

The signal word indicates important information (e.g. damage to property), but not danger.



### Observe instructions

Notes with this symbol indicate that you should read the operating instructions carefully.



### Observe instructions

This symbol indicates that a service technician should only operate and maintain this appliance in accordance with the operating instructions.

# CONTENTS

---

1 SAFETY INSTRUCTIONS .....	3	4 MAINTENANCE .....	30
1.1 Safety Instructions .....	3	4.1 Cleaning and Care .....	30
		Cleaning the Cabinet.....	30
2 INSTALLATION .....	11	Cleaning the Drum .....	30
2.1 Product Description .....	11	Cleaning the Door Seal and Glass..	30
Accessories .....	11	Cleaning the Inlet Filter .....	31
2.2 Installation .....	12	Cleaning the Detergent Dispenser	32
Installation area .....	12	Cleaning the Drain Pump Filter.....	33
Unpacking the machine.....	13	4.2 Trouble Shooting.....	34
Remove transport bolts .....	13	4.3 Customer Service.....	35
Levelling the machine.....	14	5 TECHNICAL SPECIFICATION .....	36
Connect the water supply hose	14	6 PRODUCT FICHE .....	37
Drain Hose .....	14		
Acoustic Sponge .....	15		
3 OPERATION .....	16		
3.1 Quick Start .....	16		
Calibration.....	16		
3.2 Before Each Washing .....	19		
3.3 Detergent Dispenser .....	20		
Detergent Recommendation .....	21		
3.4 Control Panel .....	22		
3.5 Display .....	23		
3.6 Programmes.....	24		
3.7 Option.....	27		

# 1 SAFETY INSTRUCTIONS

---

## INTENDED USE

The product is intended only for home use and for textiles in household amounts suitable for washing and drying. This appliance is for indoor use only and not intended for built in use. Only use according to these instructions. The appliance is not intended for commercial use.

Any other use is considered as improper use. The producer is not responsible for any damage or injuries that may result of it.

- This appliance is intended to be used in household and similar applications such as:
  - Staff kitchen areas in shops, offices and other working environments;
  - Farm houses;
  - By clients in hotels, motels and other residential type environments;
  - Bed and breakfast type environments;
  - Areas for communal use in blocks of flats or in launderettes.

## ■ 1.1 Safety Instructions

Please read the following safety information thoroughly and follow it strictly to minimize the risk of fire or explosion, electric shock and to prevent property damage, personal injury or loss of life. Failing to follow these instructions shall void any warranty.

### Warning!

This combination of symbol and signal word indicates a potentially dangerous situation which may result in death or serious injuries unless it's avoided.

### Caution!

This combination of symbol and signal word indicates a potentially dangerous situation which may result in slight or minor injuries or damage to property and the environment.

### Note!

This combination of symbol and signal word indicates a potentially dangerous situation which may result in slight or minor injuries.

# 1 SAFETY INSTRUCTIONS

---

## Warning!

### ELECTRIC SHOCK HAZARD

- If the supply cord is damaged, it must be replaced by the manufacturer, its service agent or similarly qualified persons in order to avoid a hazard.
- If the machine is damaged, it must not be operated unless repaired by the manufacturer, its service agent or similarly qualified persons.
- Risk of electric shock!
- The appliance can be used by children aged from 8 years and above and persons with reduced physical, sensory or mental capabilities or lack of experience and knowledge if they have been given supervision or instruction concerning use of the appliance in a safe way and understand the hazards involved. Children shall not play with the appliance. Cleaning and user maintenance shall not be made by children without supervision.
- Children should be supervised that they do not play with the appliance.
- Children 3 years and under shall be kept away from the appliance or continuously supervised.
- Animals and children may climb into the machine. Check the machine before every operation.
- Do not climb or sit on the appliance.

# 1 SAFETY INSTRUCTIONS

---

## INSTALLATION LOCATION AND SURROUNDING

- All washing and additional substances are to be kept in a safe place out of the reach of children.
- Do not install the machine on a carpet floor.
- The obstruction of the openings by a carpet can damage the machine.
- Keep the appliance clear from heating sources and direct sunlight to avoid plastic and rubber parts to corrode.
- Do not use the appliance in humid environments or rooms containing explosive or caustic gas. In case of water leakage or water splashes let the appliance dry in the open air. The appliance must not be installed behind a lockable door, a sliding door or a door with a hinge on the opposite side to that of the washer dryer.
- Do not operate the machine in rooms with a temperature of below 5°C. This can cause damages to parts of it. If it is unavoidable, make sure to drain the water completely from the appliance after every use (see “Maintenance - Cleaning of drain pump filter”) to avoid damages caused by frost.
- Never use flammable sprays or substances in the immediate proximity of the appliance.

# 1 SAFETY INSTRUCTIONS

---

## INSTALLATION

- Remove all packaging material and transport bolts before using the appliance. Otherwise, serious damage may result.
- This appliance is equipped with a single inlet valve and can be connected to the cold water supply only.
- Mains plug must be accessible after installation.
- Before washing clothes for the first time, the product shall be operated once throughout all the procedures without any clothes inside.
- Before using the washer dryer, the product shall be calibrated.
- Do not put any excessively heavy objects on the appliance, like water containers or heating devices.
- The new hose-sets supplied with the appliance are to be used and that old hose-sets should not be reused.
- Max. Inlet water pressure 1 MPa. Min. inlet water pressure 0.05 MPa.

## ELECTRICAL CONNECTION

- Make sure the supply cable is not trapped by the machine, it can get damaged.
- Connect the product to a grounded outlet protected by a fuse complying with the values in the “ Technical specifications ” table. The grounding installation has to be made by a qualified electrician. Ensure that the machine is installed in accordance with the local

# 1 SAFETY INSTRUCTIONS

---

regulations.

- Water and electrical connections must be carried out by a qualified technician in accordance with the manufacturer's instructions and local safety regulations.

## Warning!

- Don't use multiple plugs or extension cords.
- The appliance must not have an external switching device such as a timer or connected to a circuit that is regularly switched on and off.
- Do not pull the plug out of the mains outlet if there is flammable gas around.
- Never pull out power plug with wet hands.
- Always pull at the plug, not at the cable.
- Always unplug the appliance if it is not being used.

## WATER CONNECTIONS

- Check the connections of the water inlet tubes, the water tap and the outlet hose for possible problems due to changes of water pressure. If the connections loosen or leak, close the water tap and get it repaired.
- Do not use the appliance before the pipes and hoses are installed properly by qualified persons.
- Glass door may become very hot during the operation. Keep children and pets far away from the machine while it is operating. The water inlet and outlet hoses have to be safely installed and remain undamaged.
- Otherwise, water leakage can occur.



# 1 SAFETY INSTRUCTIONS

---

- Do not remove the drain pump filter while there is still water in the appliance. Big quantities of water can leak out, and there is a risk of scalding due to hot water.

## OPERATION AND MAINTENANCE

### Warning!

- Never stop the washer dryer before the end of the drying cycle unless all items are quickly removed and spread out so that the heat can dissipate.
  - The washer dryer is not to be used if industrial chemicals have been used for cleaning. Risk of explosion.
- 
- Never use any flammable, explosive or toxic solvents. Do not use gasoline and alcohol etc. as detergents. Only select detergents that are suitable for machine washing.
  - Make sure that all pockets are emptied. Sharp and rigid items such as coins, brooches, nails, screws, stones etc. may cause serious damages to this machine.
  - Remove all objects from pockets such as lighters and matches before use the appliance. Thoroughly rinse items that have been washed by hand.
  - Do not dry unwashed items in the appliance. Items that have been soiled with substances such as cooking oil, acetone, alcohol, petrol, kerosene, spot removers, turpentine, wax and wax removers should be washed in hot with an extra amount of detergent before being dried in the appliance.
  - Items containing foam rubber (latex foam), shower caps, water proof textiles, rubber

# 1 SAFETY INSTRUCTIONS

---

backed articles and clothes or pillows fitted with foam rubber pads should not be dried in the machine.

- Fabric softeners or similar products should be used as recommended in their instructions.
- Never try to open the door forcefully.
- The door will unlock shortly after the end of a cycle.
- Please do not close the door with excessive force. If it is found difficult to close the door, please check if the clothes are properly inserted and distributed.
- Always unplug the appliance and close the water tap before cleaning and maintenance and after each use.
- Never pour water over the appliance for cleaning purpose. Risk of electric shock!
- Repairs shall only be carried out by the manufacturer, its service agent or similarly qualified persons in order to avoid a hazard.
- The producer will not be responsible for damages caused by the intervention of not authorized persons.

## TRANSPORT

- Before Transport:
  - Bolts shall be reinstalled to the machine by a specialized person;
  - Accumulated water shall be drained out of the machine.
- This appliance is heavy. Transport with care. Never hold any protruding part of the machine

# 1 SAFETY INSTRUCTIONS

---

when lifting. The machine door can not be used as a handle.

## ENVIRONMENT

Disposal of old appliances  
(Only for EU countries)

This appliance is labelled in accordance with the European Directive 2012/19/EU on waste electrical and electronic equipment (WEEE). The directive provides the framework for the EU-wide take-back and recycling of waste equipment.



---

The devices marked with this symbol  
must not be disposed of in household waste!

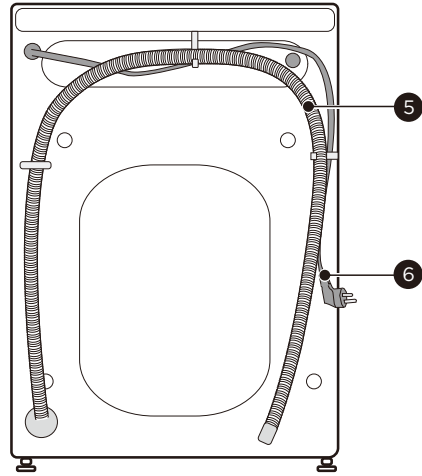
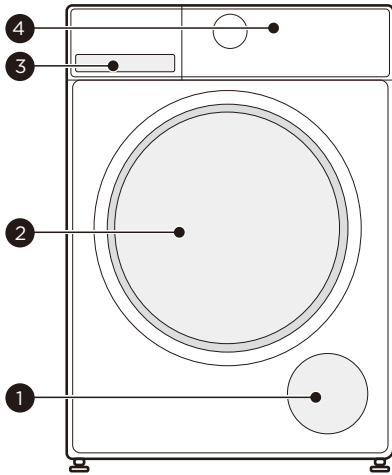
---

As a manufacturer, we ensure environmentally friendly treatment and recycling of old appliances within the scope of product responsibility. Our products are registered with the authorities for electrical appliances and packaging. For further information on collection and disposal, please contact your local authority, city council or your

(specialised) retailer. Already during the development of new appliances, we pay attention to a high recyclability of the materials used. High recycling rates are achieved via the take-back system to reduce the burden on waste dumps and the environment. Together, we are making an important contribution to environmental protection.

# 2 INSTALLATION

## 2.1 Product Description



1 Service flap

2 Door

3 Detergent dispenser

4 Control panel

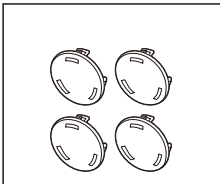
5 Drain hose

6 Power supply cord

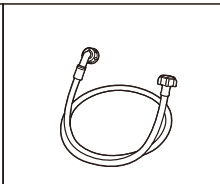
### Note!

- The product picture is for illustration only, please refer to real product as reference.

### Accessories



4 x Cover caps



1 x Supply hose cold water



1 x Owner's manual

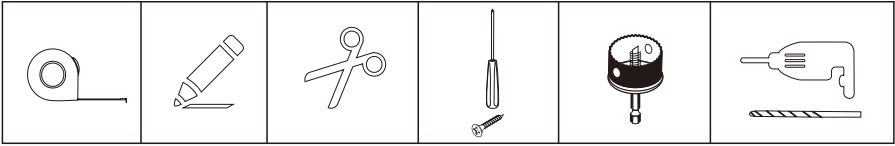


Acoustic sponge (optional)

# 2 INSTALLATION

## 2.2 Installation

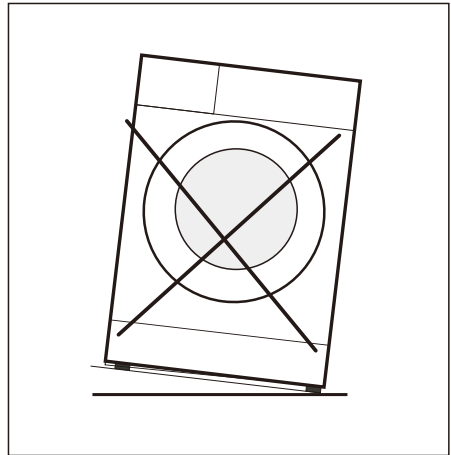
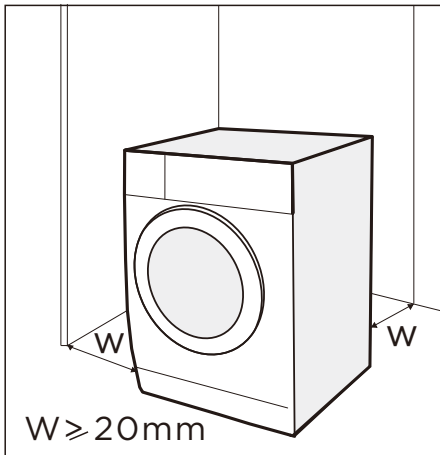
 Tools Needed If Installation By Yourself (not include)



Installation area

 Warning!

- Stability is important to prevent the product from wandering!
- Make sure the machine is standing leveled and stable.
- Make sure that the product does not stand onto the power cord.
- Make sure to maintain the minimum distances from the walls as shown in the picture

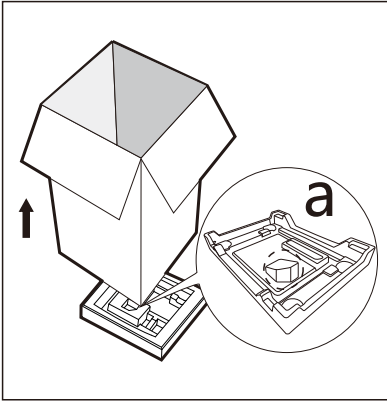


Before installing the machine, the location characterized as follows shall be selected:

1. Rigid, dry, and level surface
2. Avoid direct sunlight
3. Sufficient ventilation
4. Room temperature is above 5°C
5. Keep far away from the heat sources such as coal or gas burning appliances.

# 2 INSTALLATION

## Unpacking the machine



### ⚠ Warning!

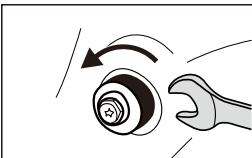
- Packaging material (e.g. Films, Styrofoam) can be dangerous for children.
- There is a risk of suffocation ! Keep all packaging well away from children.

1. Remove the cardboard box and styrofoam packing.
2. Lift the washer dryer and remove the base packaging. Make sure the small triangle foam (a) is removed with the bottom packaging together.  
If not, lay the unit down on the side surface and remove it manually.
3. Remove the tape securing the power supply cord and drain hose.
4. Remove the inlet hose from the drum.

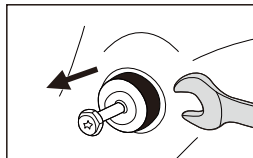
## Remove transport bolts

### ⚠ Warning!

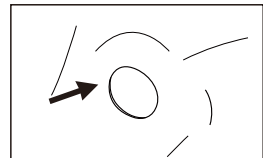
- You must remove the transport bolts from the backside before using the product.



Loosen the 4 transport bolts with a spanner.



Remove the bolts including the rubber parts and keep them for future use.



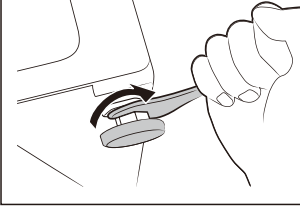
Close the holes using the cover caps.

# 2 INSTALLATION

## Levelling the machine

**Warning!**

- The lock nuts on all four feet must be screwed tightly against the housing.



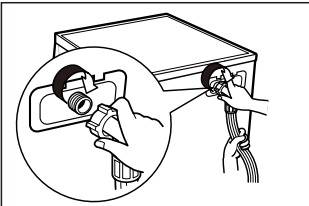
1. Loosen the lock nut.
2. Turn the foot until it reaches the floor.
3. Adjust the legs and lock the nuts with a spanner. Make sure the machine is level using a spirit level.

## Connect the water supply hose

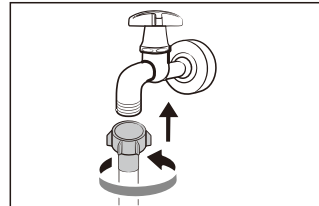
**Warning!**

To prevent leakage or water damage, follow the instructions in this chapter.

- Do not kink, crush or modify water inlet hose.



Connect the water supply hose to the water inlet valve and a water tap with cold water as indicated.



**Note!**

- Connect manually, do not use tools. Check if the connections are tight.

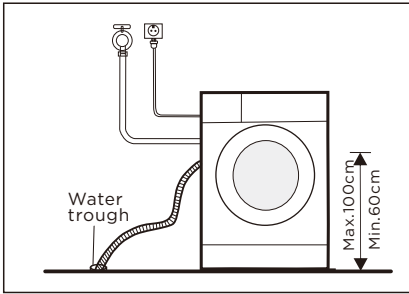
## Drain Hose

**Warning!**

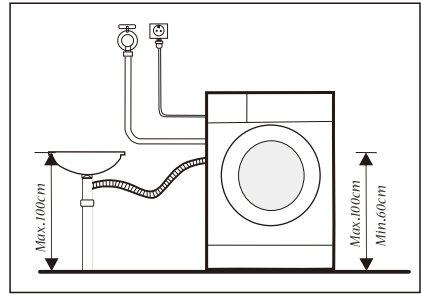
- Do not kink or protract the drain hose.
- Position drain hose properly ,otherwise damage might result of water leakage.
- It is not allowed to remove the buckle of drain pipe.

# 2 INSTALLATION

There are two ways to place the end of drain hose:



1. Put it into the water trough.

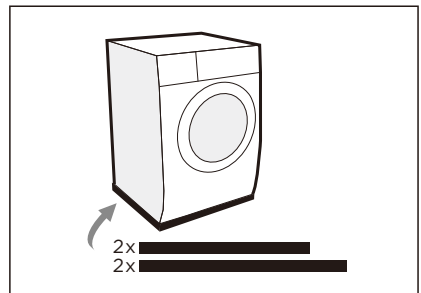
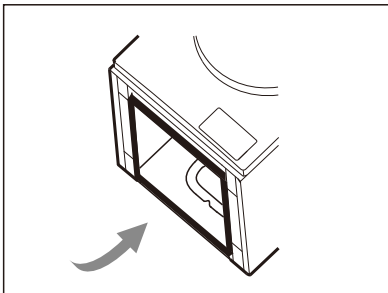


2. Connect it to the branch drain pipe of the trough.

## Acoustic Sponge

 Note!

- Please make sure to assemble the acoustic sponges, which can effectively reduce the noise caused by the machine while working, in order to provide you with a more peaceful and quiet living environment.




1. Get the machine laid on the floor, using some soft material like foam or clothes between the machine and floor for a protection;
2. Stick the 2x longer sponges to the longer bottom edges of machine, and the 2x shorter sponges to the shorter bottom edges.



# 3 OPERATION

## 3.1 Quick Start

 Caution!

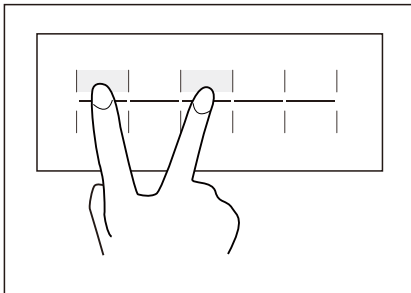
- Before washing, please make sure the washer dryer is installed properly.
- Your appliance was thoroughly checked before it left the factory. To remove any residual water and to neutralize potential odors, it's recommended to clean your appliance before first use. For this reason, start the Cotton program at 90°C without laundry and detergent.


### Calibration

It's recommended to calibrate the washer dryer, so that provide the best performance.

The appliance is able to detect the amount of laundry loaded. This function is optimizing the product performance by minimizing energy and water consumption, saving you money and time. For this reason it's recommended to calibrate the appliance for best use.

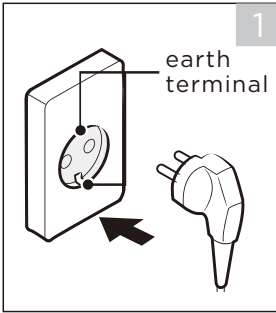
1. Remove all accessories from the drum and close the door;
2. Insert the main plug to the socket;
3. Switch on the washer dryer, and within 6 seconds, press "Extra Rinse" and "Spin" simultaneously and continuously (normally 3 seconds) until "t19" is displayed on the knob.



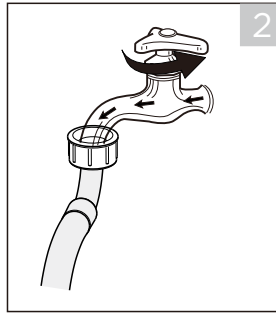
4. Press  to start the appliance, initially "---" is displayed, and then "\*\*\*" (such as "126") is displayed to indicate the real time drum speed. When the number reaches a certain value (stop changing), it means the machine is successfully calibrated.

# 3 OPERATION

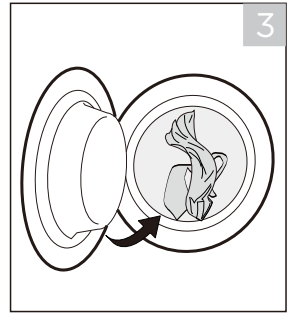
## 1. Before Washing



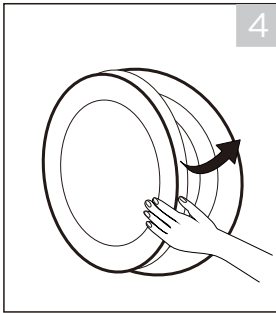
Plug in



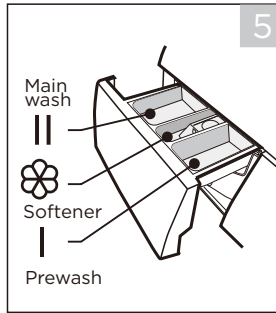
Open tap



Load



Close door



Add detergent

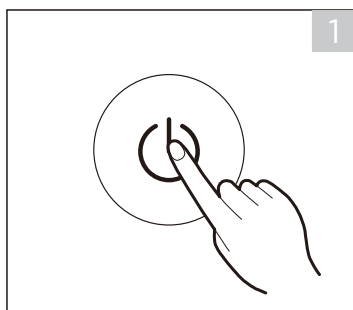
### Note!

- Detergent need to be added in compartment I if the pre-wash function is selected.
- Do not put laundry beads into the detergent dispenser.

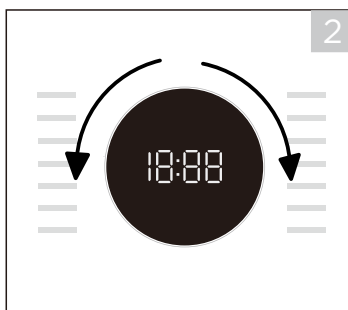
# 3 OPERATION

---

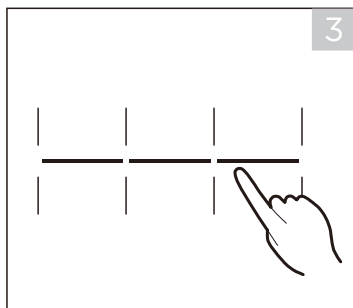
## 2. Washing



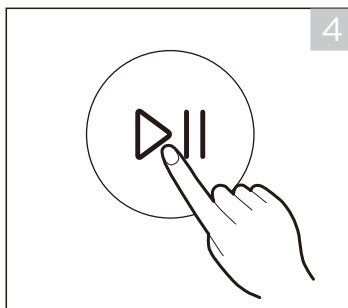
Power on



Select programme



Select function or remain default settings



Press Start/Pause to start the program

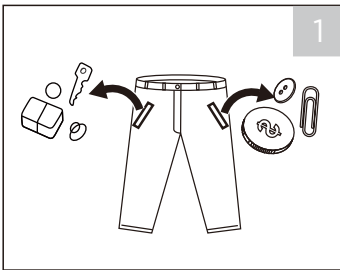
## 3. After Washing

Buzzer beep and “End” on display.

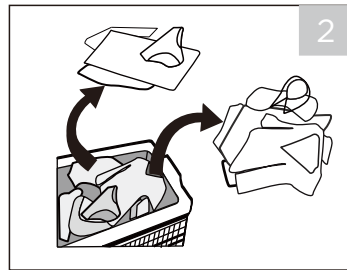
# 3 OPERATION

## 3.2 Before Each Washing

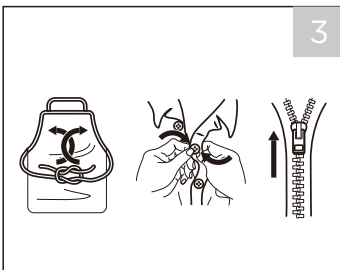
- The ambient temperature of the washer dryer should be 5°C-40°C. If used under 0°C, the inlet valve and draining system may be damaged. If the machine is installed under freezing conditions, it should be transferred to normal ambient temperature to ensure the water supply hose and drain hose can unfreeze before use.
- Please check your laundry care labels and the detergent use instructions before wash. Use non-foaming or less-foaming detergent suitable for machine washing properly.



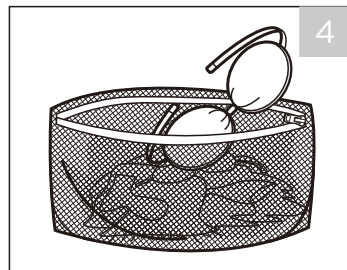
Take all items out of the pockets



Sort laundry according to color and textile type



Tie together long textile strips and belts, close zips and button



Put small items into a laundry bag

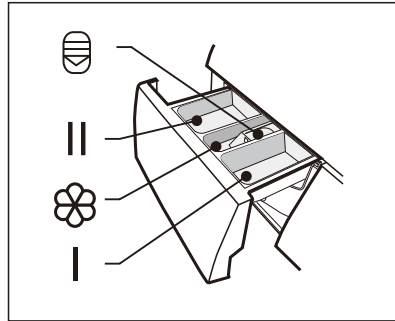
### ⚠ Warning!

- Do not wash or dry articles that have been cleaned in, washed in, soaked in, or dabbed with combustible or explosive substances like wax, oil, paint, gasoline, alcohol, kerosene, and other flammable materials.
- Washing single clothes items may easily create big eccentricity . Therefore it is suggested to add one or two more laundry items to the wash so that spin can be done smoothly.

# 3 OPERATION

## 3.3 Detergent Dispenser

- I Pre wash
- II Main wash
- ☼ Softener
- ☉ Release button to pull out the dispenser



**⚠ Caution!**

- Detergent only need to be added in “compartment I” after selecting pre-wash function.
- Do not put laundry beads into the detergent dispenser.

Programme	I	II / ☉	☼	Programme	I	II / ☉	☼
Cotton 20°C	○	●	○	Wash and Dry		●	○
Cotton 40°C	○	●	○	Dry Auto			
Cotton 60°C	○	●	○	Dry 90'			
Steam Care	○	●	○	Dry 60'			
Jeans	○	●	○	Mix 30°C	○	●	○
Delicate		●	○	Mix Cold	○	●	○
ECO 40-60		●	○	15'Wash		●	○
Spin only							

● Means must      ○ Means optional

# 3 OPERATION

## Detergent Recommendation

Recommended washing detergent	Type of laundry and textile	Wash cycles	Washing temp. °C
Heavy-duty detergent with bleaching agents and optical brighteners	White laundry made from boil-proof cotton or linen	Cotton, ECO 40-60, Mix	Cold/20/30/40/60
Colour detergent without bleaching agent and optical brighteners	Coloured laundry made from cotton or linen	Cotton, ECO40-60, Mix	Cold/20/30/40/60
Color or mild detergent without optical brighteners	Coloured laundry made from easy care fibres or synthetic materials	Cotton 20°C	20
Mild washing detergent	Delicate textiles, silk, viscose	Delicate	30
Special wool detergent	Delicate	Delicate	30

### Note!

- Agglomerating or ropy detergent or additive can be diluted in some water before pouring it into the detergent dispenser, to avoid its inlet to get blocked and thus cause a water overflow.
- Please choose the suitable type of detergent to get a maximum of washing performance and a minimum of water and energy consumption.
- To achieve the best cleaning result a proper detergent dosing is important.
- Use a reduced detergent amount if the drum is not filled completely.
- Always adjust the amount of detergent to the water hardness, if your tap water is soft, use less detergent.
- Dose according to how dirty your laundry is, less dirty clothes require less detergent.
- Highly concentrated (compact detergent) requires particularly accurate dosing.

Following symptoms are a sign of detergent overdosing:

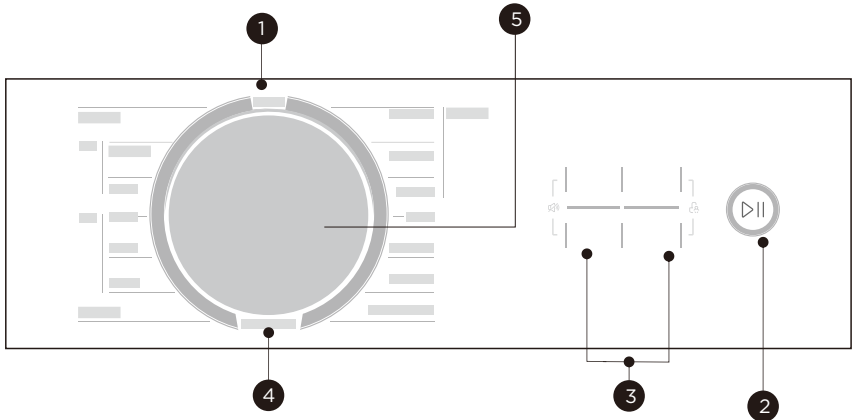
- heavy foam formation
- poor washing and rinsing result

Following symptoms are a sign of detergent underdosing:

- laundry turns grey
- built-up of limescale deposits on the drum, the heating element and/or the laundry

# 3 OPERATION

## 3.4 Control Panel



**1** Off

Product is switched Power.

**2** Start/Pause

Press the button to start or pause the washing cycle.

**3** Option

This allows you to select an additional function and will light when selected.

**4** Programmes

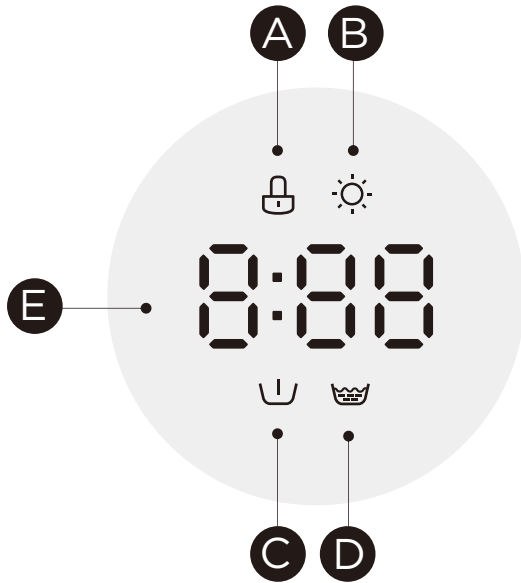
Available according to the laundry type.

**5** Display

The display shows the settings, estimated time remaining, options, and status messages for your washer dryer. The display will remain on through the cycle.

# 3 OPERATION

## 3.5 Display



<b>A</b> Door Lock	<b>B</b> Dry
<b>C</b> Pre-Wash	<b>D</b> Extra Rinse
<b>D</b> Display	
Wash Time	Delay Time
1:25	2H
Speed	Error
800	E20
End	Temp.
End	30



# 3 OPERATION

---

## ■ 3.6 Programmes

Programmes are available according to the laundry type.

Programmes	
Cotton	Hard-wearing textiles, heat-resistant textiles made of cotton or linen.
Steam Care	Steam Care is applicable for daily laundries like cotton and synthetics. The steam can deeply penetrate the fiber, which effectively eliminate bacterias and germs, preventing odors and protecting your health.
Dry	Select it to dry clothes, the temperature is different. The drying time according to the load .
Mix	Mixed load consisting of textiles made of cotton and synthetics.
Jeans	Specially for jeans.
15' Wash	Extra short programme approx, suitable for lightly soiled washing as a small amounts of laundry.
Spin Only	Extra spin with selectable spin speed.
Wash and Dry	The standard energy program.
ECO 40-60	Default 40°C,not selectable,suitable for laundry washing at about 40°C-60°C.
Delicate	For delicate, washable textiles, e.g. made of silk, satin, synthetic fibres or blended fabrics.

# 3 OPERATION

Cycle	Nominal capacity in kg	Temperature setting	Cycle duration in h:min	Energy consumption in kWh/cycle	Water consumption in L/cycle	Highest washing temperature °C <sup>3)</sup>	Residual moisture in % / Spin speed <sup>2)</sup>
15' Wash	2.0	cold	0:15	0.030	31	cold	70%/800
Cotton 20°C	4.0	20	3:49	0.183	44	20	65%/1000
Cotton 60°C	8.0	60	3:54	1.515	71	60	65%/1000
Mix 30°C	8.0	30	1:20	0.509	71	30	65%/1000
ECO40-60	8.0	39	3:38	0.870	57.8	39	53.9%/1350
	4.0	32	2:48	0.505	46.6	32	53.9%/1350
	2.0	22	2:48	0.222	38.4	22	53.9%/1350
Wash And Dry	5.0	35	8:00	4.000	96	35	3%/1350
	2.5	27	7:00	2.136	56	27	3%/1350

- The above data is for reference only, and the data may change due to different actual use conditions.
- The values given for programmes other than the ECO 40-60 programme and the Wash and Dry cycle are indicative only.
- Concerning to EN IEC 62512:2020+A11:2020, EN 60456:2016+A11:2020 With (EU) 2019/2014, (EU) 2019/2023, (EU) 2021/340, (EU)2021/341, The EU energy efficiency class is: E  
 Energy test program: ECO 40-60. Other as the default.  
 Half load for 8.0kg machine: 4.0kg.  
 Quarter load for 8.0kg machine: 2.0kg.  
 Energy test program: Wash and Dry; Other as the default.  
 Dry load for 8.0kg machine: 5.0kg, Half load machine: 2.5kg.

# 3 OPERATION

---

1. The highest temperature reached by the laundry in the wash cycle for at least 5 minutes.
2. Residual moisture after the wash cycle in water content percent and the spin speed at which this was achieved.
3. The ECO 40-60 programme is able to clean normally soiled cotton laundry declared to be washable at 40°C or 60°C, together in the same cycle. This programme is used to assess the compliance with the regulation (EU) 2019/2014, (EU) 2019/2023, (EU) 2021/340, (EU) 2021/341.
4. The Wash and Dry programme, is able to clean normally soiled cotton laundry declared to be washable at 40°C or 60°C, together in the same cycle, and to dry it in such a way that it can be immediately stored in a cupboard. This programme is used to assess the compliance with the regulation (EU) 2019/2014, (EU) 2019/2023, (EU) 2021/340, (EU) 2021/341.

The most efficient programmes in terms of energy consumption are generally those that perform at lower temperatures and longer duration.

Loading the household machine up to the capacity indicated for the respective programmes will contribute to energy and water savings.

Noise and remaining moisture content are influenced by the spinning speed: the higher the spinning speed in the spinning phase, the higher the noise and the lower the remaining moisture content.



Caution!

- If there is any break in the power supply while the machine is operating, a special memory stores the selected programme. The machine will continue the programme when the power supply is re-established.

# 3 OPERATION

## 3.7 Option

Cycle	Washing Load/Dry Load(kg)	Default Temp.(°C)	Default spin speed	Additional functions
	8kg		1400	
Cotton 20°C	4.0	20	1000	🕒, 📏, 🧺
Cotton 40°C	8.0	40	1000	🕒, 📏, 🧺
Cotton 60°C	8.0	60	1000	🕒, 📏, 🧺
Steam Care	4.0	40	1000	🕒, 📏, 🧺
Jeans	8.0	40	1000	🕒, 📏, 🧺
Delicate	2.0	30	800	🕒, 🧺
ECO 40-60	8.0	-	1400	🕒
Spin only	8.0	-	1000	🕒
Wash and Dry	8.0/5.0	-	1400	🕒
Dry Auto	--/5.0	--	1200	🕒
Dry 90'	--/1.0	--	1200	🕒
Dry 60'	--/0.5	--	1200	🕒
Mix 30°C	8.0	30	1000	🕒, 📏, 🧺
Mix Cold	8.0	Cold	1000	🕒, 📏, 🧺
15' Wash	2.0	Cold	800	🕒

### 📌 Note!

- For the maximum spin speed, program time, and other details of the ECO 40-60 and Wash and Dry programs, please refer to the content on the Product Fiche page.
- The table shows which cycle offers which options for adjustment.

# 3 OPERATION

---



## Pre Wash

The Prewash function can get an extra wash before main wash, it is suitable for washing the dust rises to surface of the clothes; You need to put detergent into the Case (I) when select it.

---



## Extra Rinse

The laundry will undergo extra rinse once after you select it.

---



## Delay

Set the Delay function:

1. Select a programme
2. Press the Delay button to choose the time (the delaying time is 0-24 H.)
3. Press [Start/Pause] to commence the delay operation



Choose the Programme

Setting time

Start

Cancel the Delay function:

Press the [Delay] button until the display be 0H. It should be pressed before starting the programme. If the programme already started, should select [Off] to reset the programme.



Caution!

- If there is any break in the power supply while the machine is operating, a special memory stores the selected programme and when the power is restarted, press the [Start/Pause] button the program will continue.
- 



## Spin

Press the button to change the spin speed.  
1400: 0-400-600-800-1000-1200-1400



Caution!

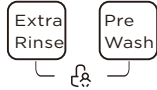
- When the lights of spin speed are off means the spin speed is 0.

# 3 OPERATION



## Child Lock

This function is meant to keep children from misusing the controls.



Press [Extra Rinse] and [Pre Wash] simultaneously for 3 sec until the buzzer beep. The child lock indicator switches on.



## Caution!

When the Child Lock is activated, the display will alternately show "CL" and the remaining time.

Pressing any other button will cause the Child Lock indicator to flash for 3 sec. When the program ends, "CL" and "END" will alternate on the display for 6 sec .

The Child Lock deactivates the function of all buttons except the On/Off button and the Child lock button!

Only the simultaneous pressing of the two buttons [Extra Rinse] and [Pre Wash] can deactivate the Child Lock!

Please deactivate the Child Lock before selecting a new program!



## Mute the buzzer



Start

Press the [Delay]&[Spin] button for 3sec.  
the buzzer is mute.

To act the buzzer function, press the two buttons again for 3 seconds.  
The setting will be kept until the next reset.



## Caution!

- After Muting the buzzer function, the sounds will not be activated any more.



## Note!

### Usage counter

1. Unplug the equipment for 10s and reconnect again.
2. Power on and within 10s, please press " delay" and "prewash" on control panel simultaneously and continuously for around 5s until the device display shows digits--the value can indicate the times of equipment usage.
3. Repeat step 1 again and customer can resume to normal operation.

# 4 MAINTENANCE

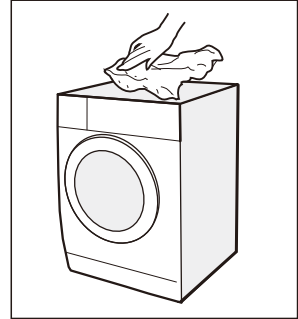
## 4.1 Cleaning and Care

### Warning!

- Always unplug the appliance and close the water tap before cleaning and maintenance.

### Cleaning the Cabinet

Proper maintenance on the washer dryer can extend its working life. The surface can be cleaned with diluted non-abrasive neutral detergents when necessary. If there is any water overflow, use a towel to wipe it off immediately.  
Never use sharp items to clean the appliance.



### Caution!

- Never use abrasive or caustic agents, formic acids or its diluted solvents or similar substances, like alcohol or chemical products.

### Cleaning the Drum

Any rust stains left inside the drum by metal articles must be removed immediately using chlorine-free detergents. Never use steel wool for cleaning the drum!

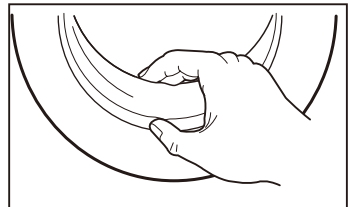
### Note!

- Keep any laundry away from the machine while cleaning the drum.

### Cleaning the Door Seal and Glass

Wipe the glass and seal after each wash to remove lint and stains. If lint builds up it can cause leakages.

Remove any coins, buttons and other objects from the seal after each wash. Clean the Door Seal and Glass every month to ensure the normal operation of the appliance.



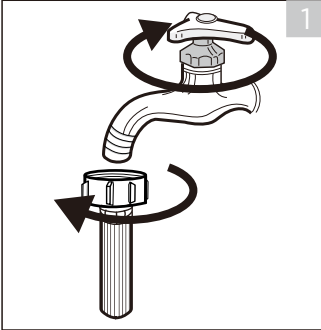
# 4 MAINTENANCE

---

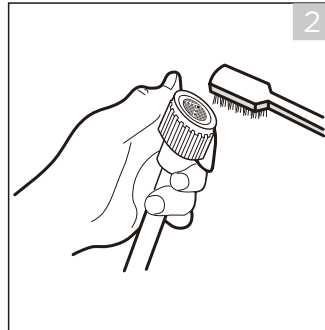
## Cleaning the Inlet Filter

 Note!

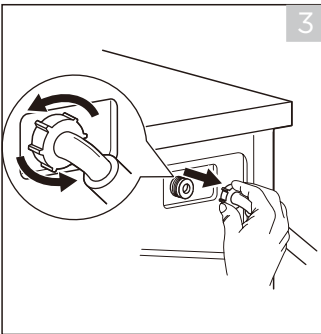
- Diminishing water flow is a sign that the filter need to be cleaned.



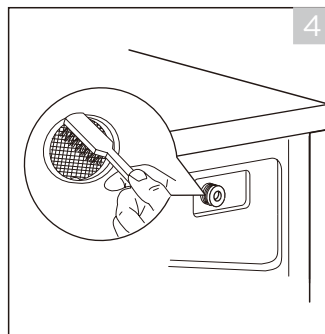
1. Close the tap and remove the water supply hose from it.



2. Clean the filter with a brush.



3. Unscrew the water supply hose from the backside of the machine. Pull out the filter with long nose pliers.




4. Use a brush to clean the filter.

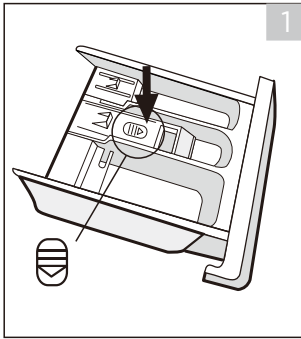
5. Reinstall the filter to the water inlet and reconnect the water supply hose.  
6. Clean the Inlet filter every 3 months to ensure the normal operation of the appliance.



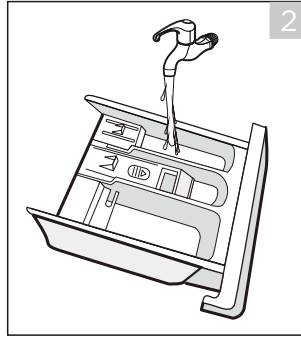
# 4 MAINTENANCE

## Cleaning the Detergent Dispenser

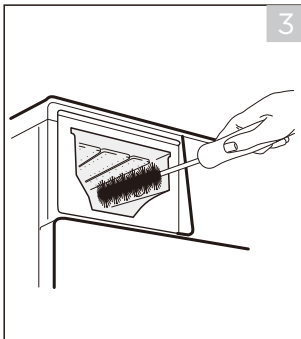
1. Press down the release [  ] on the softener cover and pull the dispenser drawer out of the recess. Clean the inside of the recess with a brush.
2. Lift the softener cover off the dispenser drawer and wash both items with water.
3. Restore the softener cover and push the drawer back into the recess.



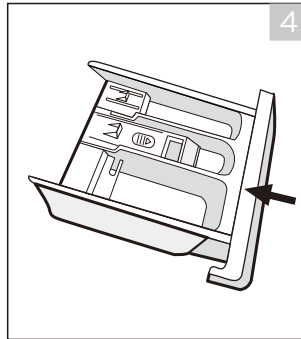
Press the release and remove the dispenser drawer



Clean the dispenser drawer and the softener cover under water



Clean the recess with an soft brush



Insert the dispenser drawer

### Note!

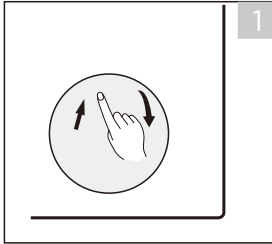
- Do not use abrasive or caustic agents to clean plastic parts.
- Clean the detergent dispenser every 3 months to ensure the normal operation of the appliance

# 4 MAINTENANCE

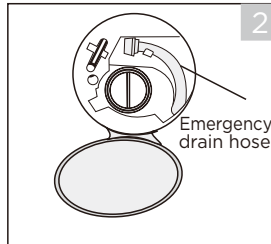
## Cleaning the Drain Pump Filter

### ⚠ Warning!

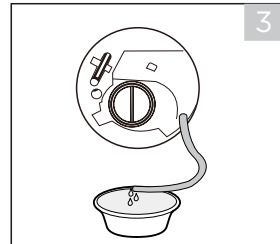
- Make sure that the machine has finished the washing cycle and is empty. Switch it off and unplug it before cleaning the drain pump filter.
- Be careful of hot water. Wait for water cooling down. Risk of scalding!
- Clean the filter periodically every 3 months to ensure the normal operation of the appliance.



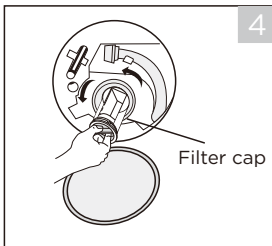
1 Open the lower cover cap



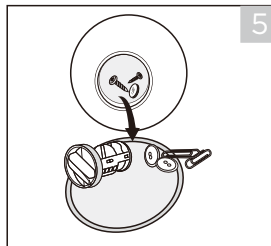
2 Pull out the emergency drain hose, and take off the hose cap



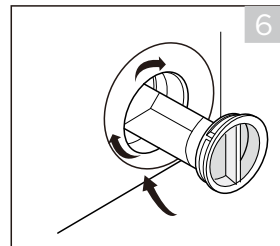
3 After water runs out, reset the drain hose



4 Open the filter by turning to the counter clockwise



5 Remove extraneous matter



6 Carefully reinsert the filter and screw the lower cover cap in clockwise

### ⚠ Caution!

- Make sure emergency drain hose cap and the emergency drain hose are reinstalled properly, otherwise water may leak.
- Some machine don't have emergency drain hose, so step 2 and step 3 can be skipped. Rotate lower cover cap directly to make water run into basin.

# 4 MAINTENANCE

## 4.2 Trouble Shooting

Whenever there is a problem with the appliance, check if you can solve it following the tables below. If the problem persists, please contact the customer service.

Description	Possible cause	Solution
Appliance does not start	Door is not closed properly.Clothes are stuck.	Close the door properly and restart. Check the laundry.
Door can't be opened	Safety protection is activated.	Disconnect the power and restart.
Water leakage	Connections are not tight enough.	Check and fasten the water inlet pipe.Check and clean the outlet hose.
Detergent residues in the detergent dispenser	Detergent is damp and/or clotted.	Clean and wipe the detergent dispenser dry.
Indicator or display does not work	PC board or harness have connection problems.	Switch off the power and check if the mains plug is connected properly.
Abnormal noise	Fixing bolts still in place. Floor is not solid or level.	Check if the fixing bolts have been removed. Make sure the appliance is installed on a solid and level floor.

### Error Codes

Description	Possible cause	Solution
<b>E30</b>	Door is not closed properly.	Close the door properly and restart.
<b>E10</b>	Water injecting problem during wash cycle.	Check if the water pressure is high enough. Straighten the water pipe. Clean the inlet valve filter.
<b>E21</b>	Overtime water draining	Check the drain hose for blockage.
<b>E12</b>	Water overflow	Restart the appliance.
<b>EXX</b>	Others	Restart the appliance. If problem persists, please contact the customer service.

# 4 MAINTENANCE

---

## ■ 4.3 Customer Service

Spare part for your appliance are available for a minimum of 10 years following EU COMMISSION REGULATION 2019/2023 ANNEX II Ecodesign requirements.

In case of questions, please contact our local customer service center.



Warning!

Risk of electric shock

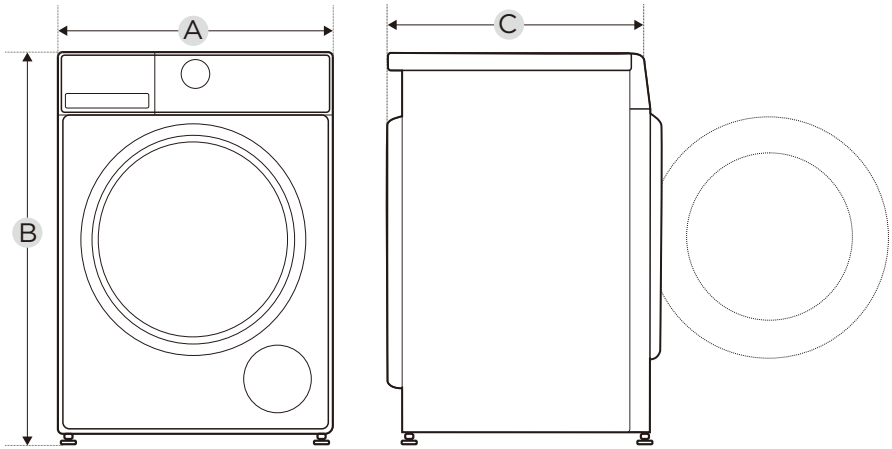
- Never try repair an appliance which is defective or presumed to be defective. You may put your own and future users' lives in danger. Only authorised specialists are allowed to carry out this repair work.
- Improper repair will void the warranty and subsequent damages can't be recognized!

### Transport

#### IMPORTANT STEPS WHEN MOVING THE APPLIANCE

- Unplug the appliance and close the water inlet tap.
- Check, if the door and the detergent dispenser are closed properly.
- Remove the water inlet pipe and the outlet hose from the house installations.
- Let the water drain completely from the appliance (see "Maintenance Cleaning the drain pump filter")
- Important: Re-install the 4 transport bolts in the back of the appliance.
- This appliance is heavy. Transport with care. Never hold any protruding part of the machine when lifting. The machine door can not be used as a handle.

# 5 TECHNICAL SPECIFICATION



Model	MF10ED80B
Power Supply	220-240V-,50Hz
MAX.Current	10A
Standard Water Pressure	0.05MPa-1MPa
Washing Capacity	8.0kg
Drying Capacity	5.0kg
Dimension	
A	595mm
B	850mm
C	565mm
Weight	74kg
Rated Power	2000W
Drying Power	1350W

# 6 PRODUCT FICHE

Supplier's name or trade mark<sup>(a)</sup> (d):

Supplier's address<sup>(a)</sup> (d):

Model identifier<sup>(a)</sup>: **MF10ED80B**

General product parameters:

Parameter	Value		Parameter	Value	
Rated capacity (kg)	Rated capacity (°)	5.0	Dimensions in cm (°) (d)	Height	85
	Rated washing capacity (b)	8.0		Width	60
				Depth	57
Energy Efficiency Index	EEI <sub>w</sub> (b)	59.8	Energy efficiency class	EEI <sub>w</sub> (b)	B (°)
	EEI <sub>WD</sub> (°)	81.9		EEI <sub>WD</sub> (°)	E (°)
Washing efficiency index	I <sub>w</sub> (b)	1.031	Rinsing effectiveness (g/kg dry textile)	I <sub>R</sub> (b)	5.0
	J <sub>w</sub> (°)	1.031		J <sub>R</sub> (°)	5.0
Energy consumption in kWh per kg per cycle, for the washing cycle of the household washer-dryer, using the eco 40-60 programme at a combination of full and partial loads. Actual energy consumption will depend on how the appliance is used	0.544		Energy consumption in kWh per kg per cycle, for the wash and dry cycle of the household washer-dryer at a combination of full and half loads. Actual energy consumption will depend on how the appliance is used	3.254	
Water consumption in litre per cycle, for the eco 40-60 programme at a combination of full and partial loads. Actual water consumption will depend on how the appliance is used and on the hardness of the water	48		Water consumption in litre per cycle, for the wash and dry cycle of the household washer-dryer at a combination of full and half loads. Actual water consumption will depend on how the appliance is used and on the hardness of the water	80	
Maximum temperature inside the treated textile (°C) for the washing cycle of the household washer- dryer, using the eco 40-60 programme	Rated washing capacity	39	Maximum temperature inside the treated textile (°C) for the washing cycle of the household washer-dryer, using the wash and dry cycle	Rated capacity	35
	Half	32		Half	27
	Quarter	22			
Spin speed (rpm) (b)	Rated washing capacity	1350	Weighted remaining moisture content (%) (b)	Rated capacity	53.9
	Half	1350		Half	53.9
	Quarter	1350		Quarter	53.9

# 6 PRODUCT FICHE

Eco 40-60 programme duration (h:min)	Rated washing capacity	3:38	Spin-drying efficiency class <sup>(b)</sup>	B <sup>(c)</sup>	
	Half	2:48			
	Quarter	2:48			
Airborne acoustical noise emissions during the spinning phase for the eco 40-60 washing cycle at rated washing capacity (dB(A) re 1 pW)	76	wash and dry cycle duration (h:min)	Rated capacity	8:00	
			Half	7:00	
Type	free-standing	Airborne acoustical noise emission class for the spinning phase for the eco 40-60 programme at rated washing capacity	B <sup>(c)</sup>		
Off-mode (W) (if applicable)	0.50	Standby mode (W) (if applicable)	N/A		
Delay start (W) (if applicable)	4.00	Networked standby (W) (if applicable)	N/A		

**Minimum duration of the guarantee offered by the supplier <sup>(a)</sup> <sup>(d)</sup>:**

This product has been designed to release silver ions during the washing cycle	NO
--	----

**Additional information<sup>(a)</sup><sup>(d)</sup>:**

Weblink to the supplier's website, where the information in point 9 of Annex II to Regulation (EU) 2019/2023 is found (b):

- (a) for the eco 40-60 programme.  
 (b) for the wash and dry cycle  
 (c) changes to these items shall not be considered relevant for the purposes of paragraph 4 of Article 4 of Regulation (EU) 2017/1369.  
 (d) if the product database automatically generates the definitive content of this cell the supplier shall not enter these data.

- 1) The actual energy consumption will depend on how the appliance is used.
- 2) The actual water consumption will depend on how the appliance is used and on the hardness of the water.
- 3) Delivery of the spare parts within 15 working days after having received the order.

Product Data Sheet concerning (EU) 2019/2014, (EU) 2019/2023, (EU) 2021/340, (EU) 2021/341.

The product data sheet for your appliance can be found online. Go to <https://eprel.ec.europa.eu> and enter the model identifier for your appliance to download the data sheet. The model identifier for your appliance can be found in the technical specifications section.

## NOTES

---

### Warranty

We provide a guarantee for this machine in accordance with the following conditions: You have a manufacturer's warranty of 2 years from the date of purchase (proof of purchase must be provided). Our General Terms and Conditions apply.

Your device / serial number

Purchase date:

Place of purchase:

Do you have any questions ?

We are happy to support you !

<http://www.midea.com>





*make yourself at home*